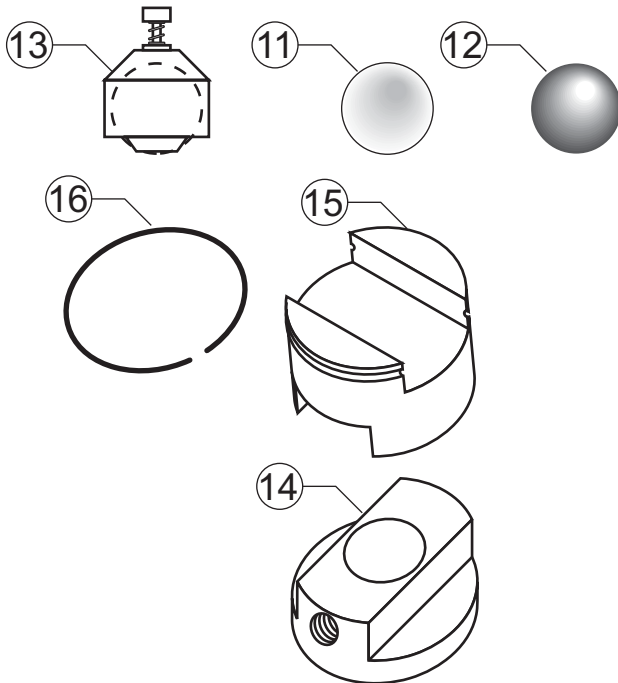
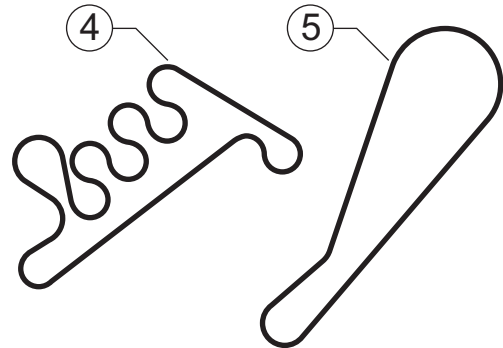
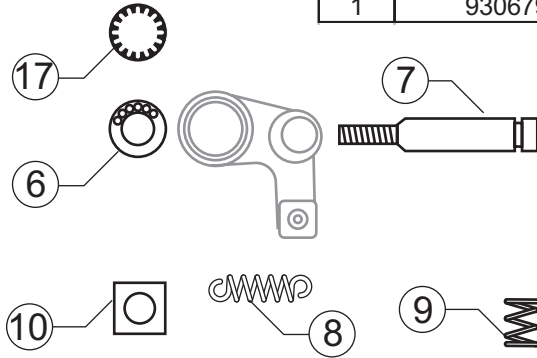




MBO REPLACEMENT ROLLERS			
Pos no.	KEPES Part no.	Description	Model
1	930720	Spiral fold rollers 43.7mm OD	B123
1	930412	Spiral fold rollers 43.7mm OD	B26
1	930451	Spiral fold rollers 43.7mm OD	B30
1	930679	Spiral 43.7mm OD third station	B15 (16pg)

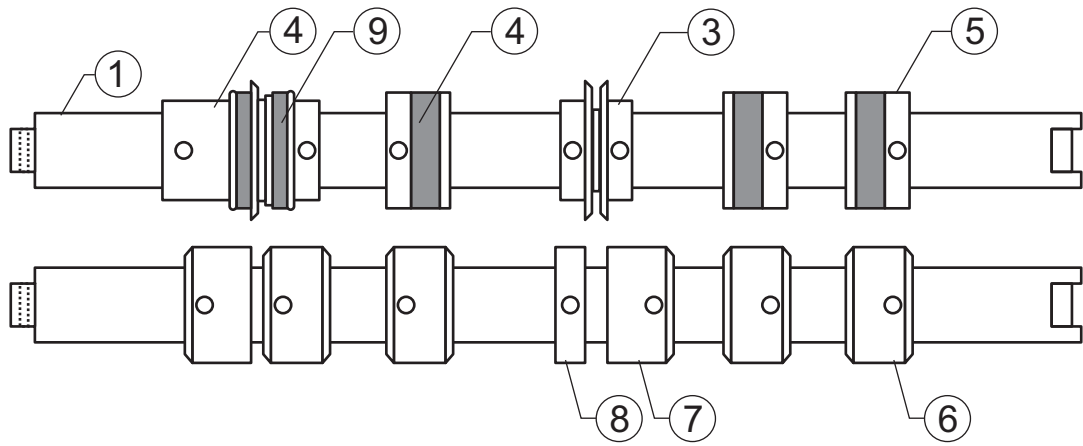


COMMON MBO B SERIES REPLACEMENT PARTS		
Pos no.	KEPES Part no.	Description
4	790106	Roller belt drive
5	102049	Drive belt Parallel
5	102037	Drive belt 8-page
6	200031	Roller bearing
7	790305	Pivot bolt
8	790306	Extension spring
9	790307	Compression spring
10	790349	Brass adjustment part
11	790146	Marble plastic 25mm
11a	850018	Marble plastic 20mm
12	790147	Marble steel 25mm
11b	850011	Marble steel 20mm
13	790107	Marble holder
14	600500	Coupler /on roller w/screw
15	790268	Coupler/center piece w/o #16
16	790376	Coupler/ retainer spring only
17	790281	Spring washer

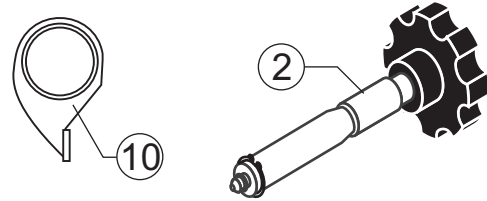
Helpful Hints - While installing your rollers , be sure to check:

- Fold plate and deflector settings
- “Zero” the roller tension settings
- Check drive belts and pulleys for wear
- Inspect in-feed guide and belt for wear
- Clean or replace air pump filters (and vanes if applicable)
- Inspect electrical connections between units
- Inspect and clean the suction valve and wheel
- Check transport collars for wear, recover or replace if needed

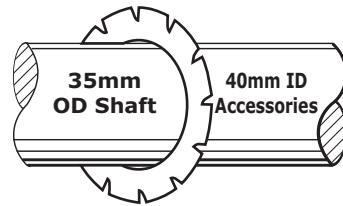
For instruction on how to check these items
or if you have any other questions, call 262-652-7889



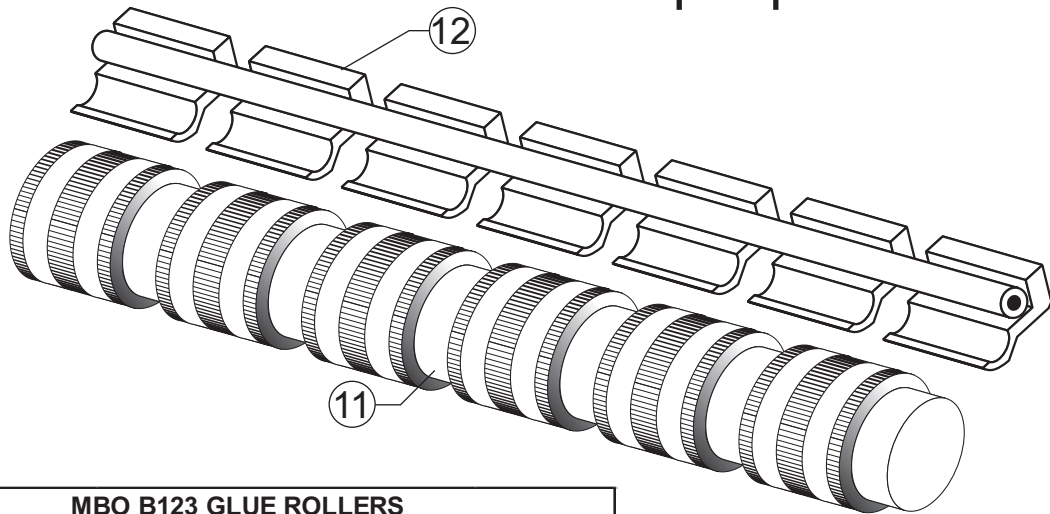
COMMON SLITTERSHAFT MBO B123, B26, B30		
REPLACEMENT PARTS		
Pos no.	KEPES Part no.	Description
1	790286	B26 35mm OD slitter shaft
1	790381	B30 35mm OD slitter shaft
1	930070	B123 35mm OD slitter shaft
2	790293	Slitter shaft stem
3	407502	Holding collar/w spacers
4	407605	Large holding collar
5	407535	Rubber/steel transport
6	407532	Steel transport
7	407538	Transport die block
8	407608	14mm die block
9	790094	Edge trim rings
10	409102	Center trim stripper



*For perforators,
slitters, and scores;*



kepesparts.com



MBO B123 GLUE ROLLERS			
Pos no.	KEPES Part no.	Description	Model
11	930605	Segmented glue roller	B2123
12	996020	Segmented glue nose	B2123
11	930607	Segmented glue roller	B26
12	995930	Segmented glue nose	B26
11	930608	Segmented glue roller	B30
12	995933	Segmented glue nose	B30
11	930588	Segmented glue roller	B15 (16pg)