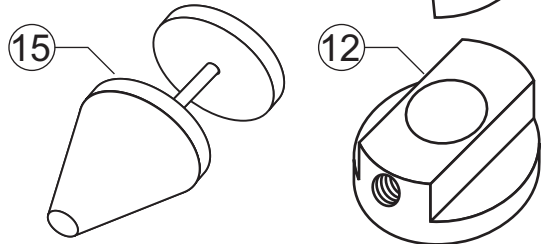
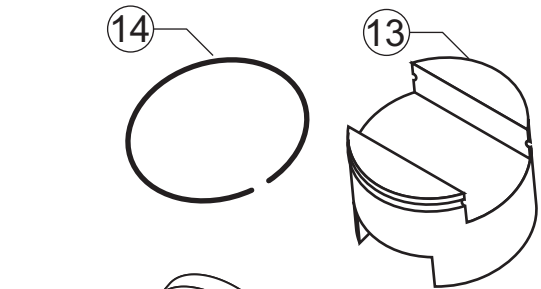
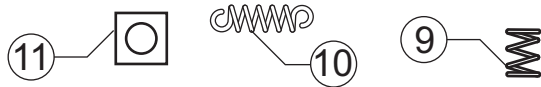
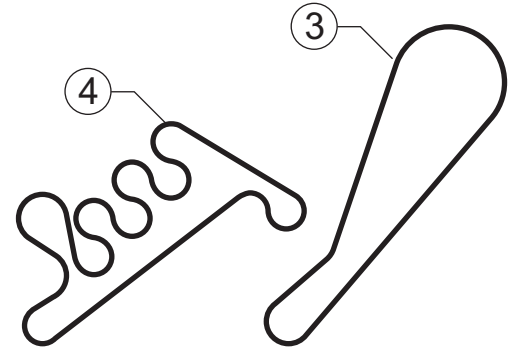
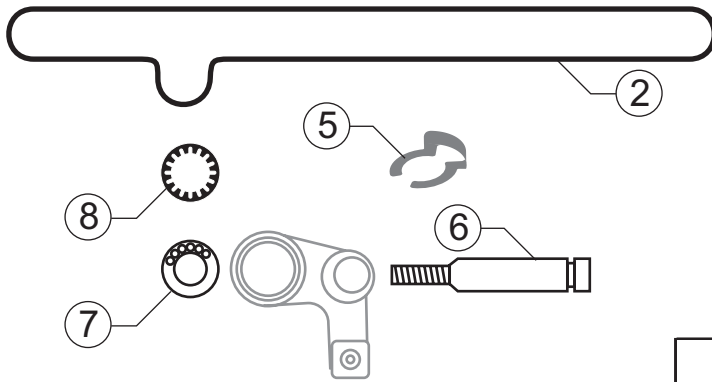




MBO PERFECTION SERIES REPLACEMENT ROLLERS			
Pos #	KEPES Part #	Description	Model
1	930280	Spiral fold rollers 43.7mm OD	32S
1	930733	Spiral fold rollers 43.7mm OD	30S
1	930687	Spiral fold rollers 43.7mm OD	26S
1	930732	Spiral fold rollers 43.7mm OD	23S

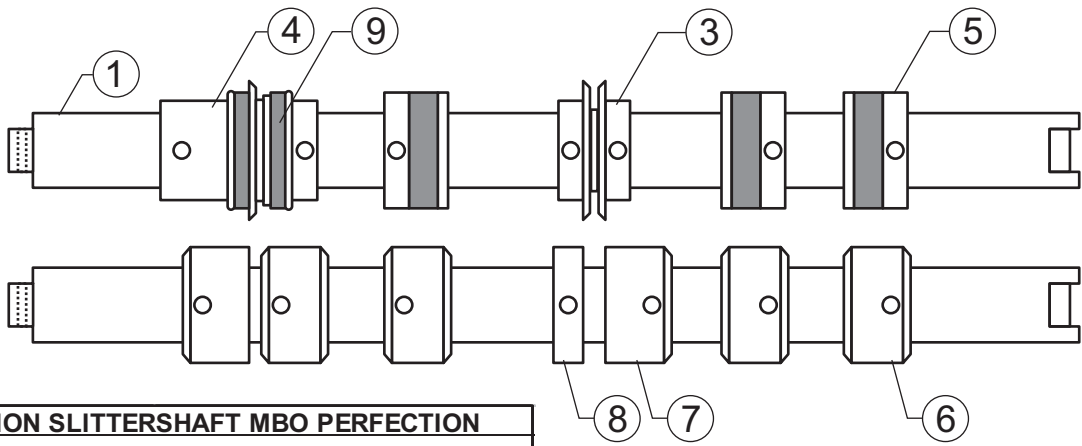


COMMON MBO PERFECTION SERIES REPLACEMENT PARTS		
Pos #	KEPES Part #	Description
2	790165	Vacuum Register Belt
3	790166	Drive belt 6 plate Parallel
3	102057	Drive belt 4 plate Parallel
3	102094	Drive belt 6 plate 8-Page
3	102052	Drive belt 4 plate 8-Page
4	790334	Roller drive belt 4 plate
4	790335	Roller drive belt 8 plate
5	790320	Circlip (pivot bolt)
6	790305	Pivot bolt
7	200031	Roller bearing
8	790281	Spring washer
9	790307	Compression spring
10	790306	Extension spring
11	790349	Brass adjustment part
12	600500	Coupler /on roller w/screw
13	790268	Coupler/center piece w/o #16
14	790376	Coupler/ retainer spring only
15	790336	Cross carrier cone (double) drive

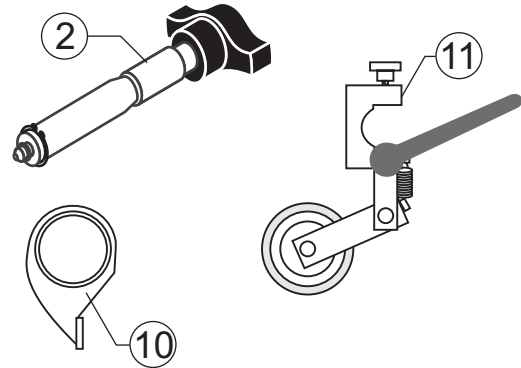
Helpful Hints - While installing your rollers , be sure to check:

- Fold plate and deflector settings
- “Zero” the roller tension settings
- Check drive belts and pulleys for wear
- Inspect in-feed guide and belt for wear
- Clean or replace air pump filters (and vanes if applicable)
- Inspect electrical connections between units
- Inspect and clean the suction valve and wheel
- Check transport collars for wear, recover or replace if needed

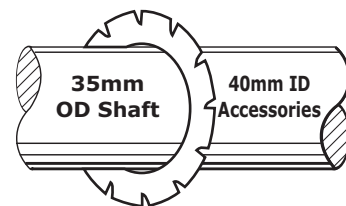
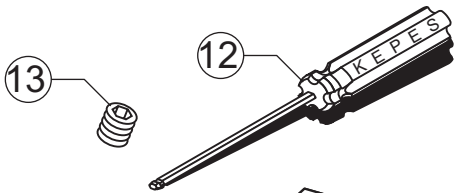
For instruction on how to check these items
or if you have any other questions, call 262-652-7889



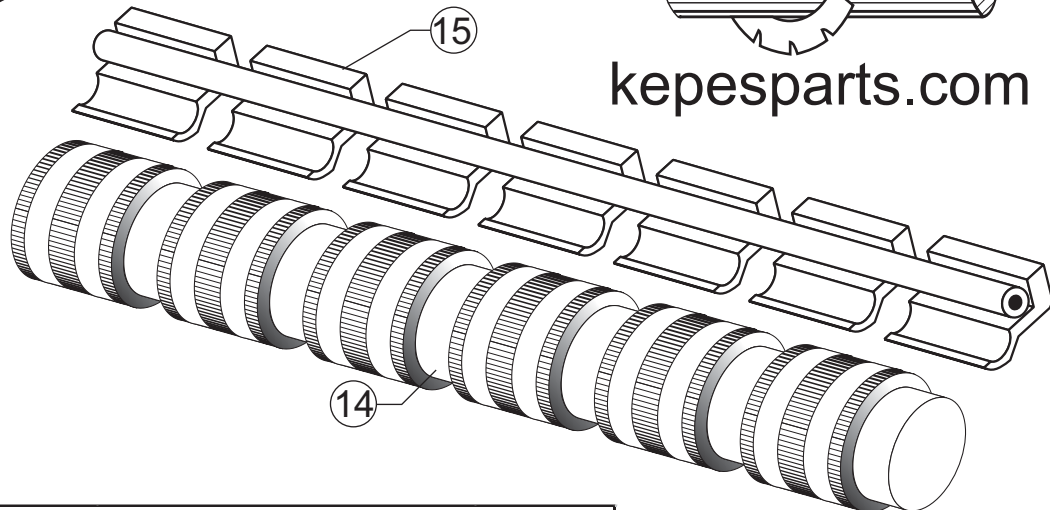
COMMON SLITTERSHAFT MBO PERFECTION (S Series) REPLACEMENT PARTS		
Pos #	KEPES Part #	Description
1	790337	B26S 35mm OD slitter shaft
1	790338	B30S 35mm OD slitter shaft
2	790293	Slitter shaft stem
3	407502	Holding collar/w spacers
4	407605	Large holding collar
5	407535	Rubber/steel transport
6	407532	Steel transport
7	407538	Die block / Counter knife
8	407608	14mm wide die block, dbl edge
9	790094	Edge trim rings
10	409102	Center trim stripper
11	960194	Kick-out wheel
12	807010	Pin wrench for slittershaft
13	811221	Set screw for slittershaft



*For perforators,
slitters, and scores;*



kepesparts.com



MBO PERFECTION (S Series) GLUE ROLLERS			
Pos #	KEPES Part #	Description	Model
12	807042	Pin wrench glue rollers	
13	811925	Set screw glue rollers	
14	930619	Segmented glue roller	B26S
15	995594	Segmented glue nose	B26S
14	930618	Segmented glue roller	B32S
15	860279	Segmented glue nose	B32S