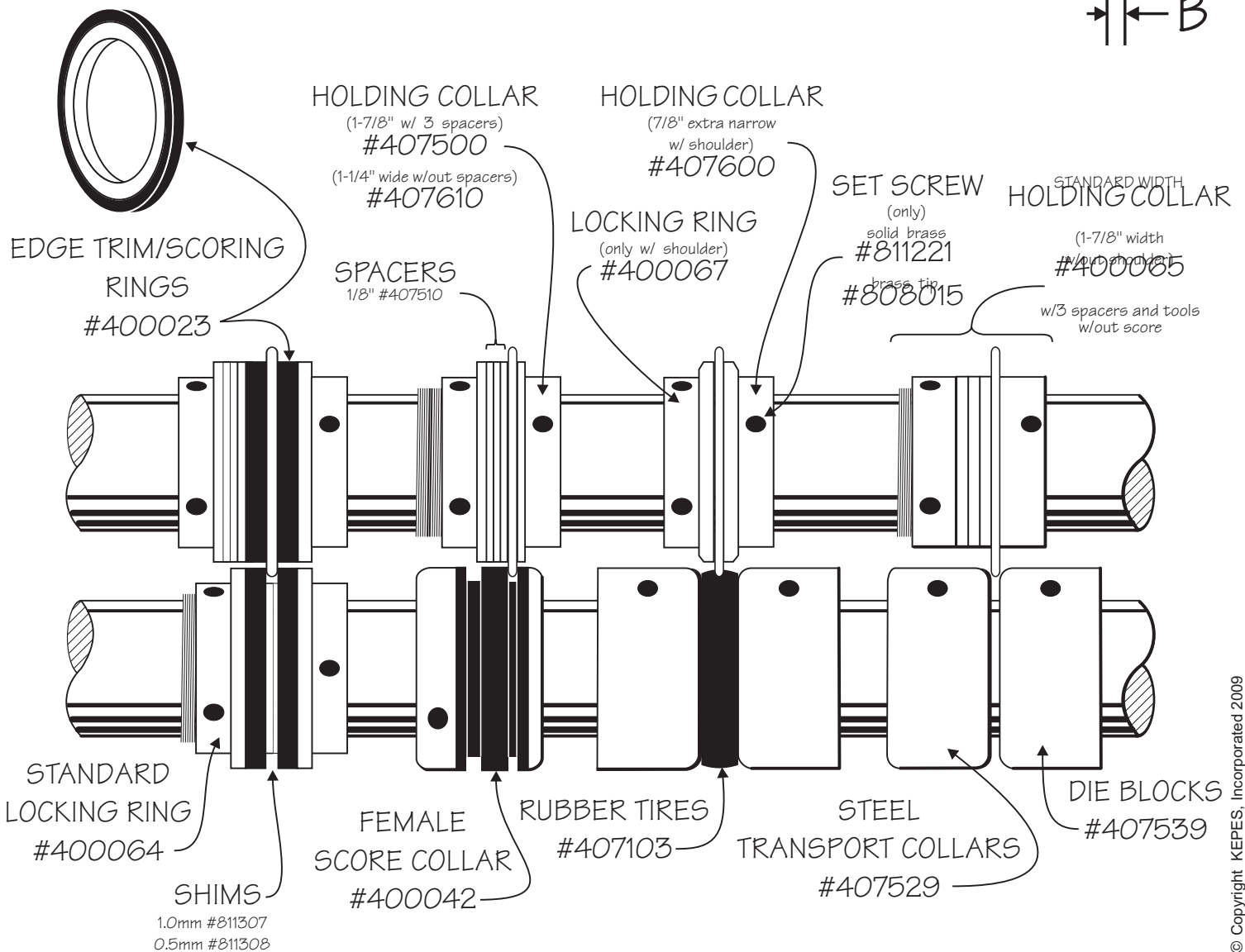
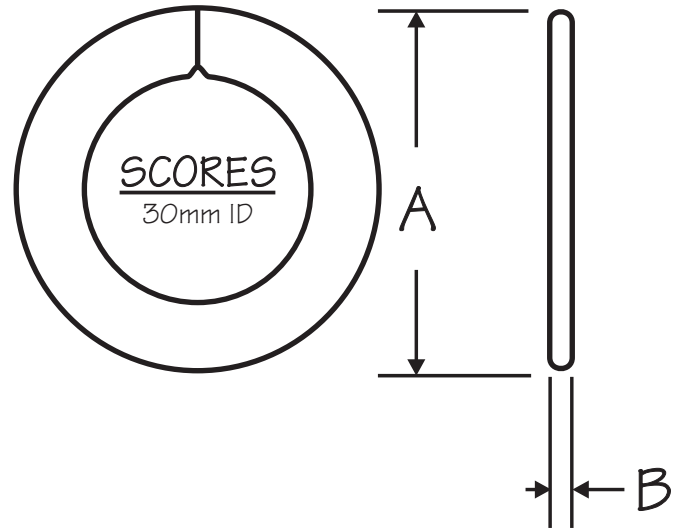


SCORES AND ACCESSORIES

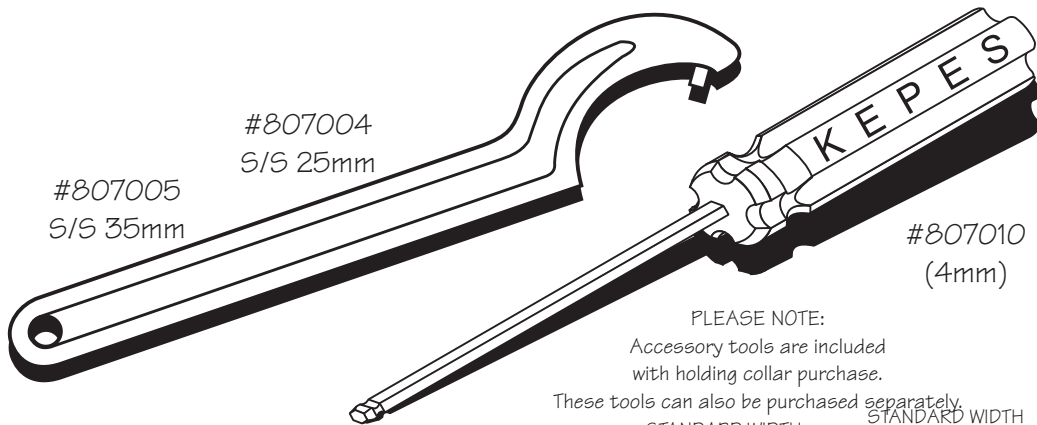
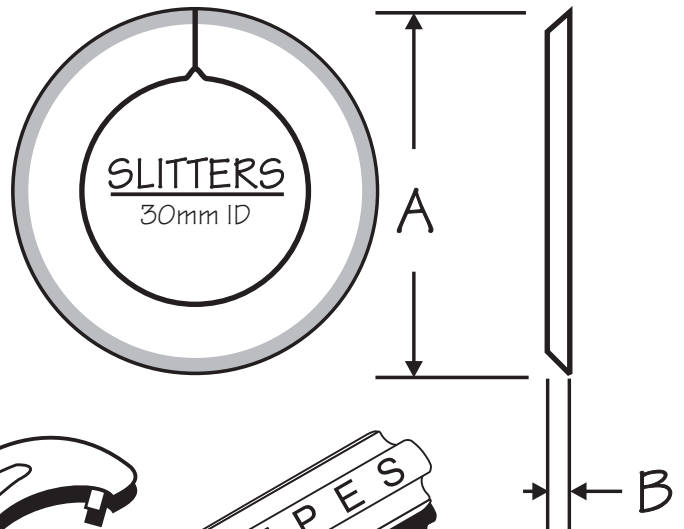
KEPES PART #	A		B		C SPLIT
	mm	inches	mm	inches	
400201	45.0	1.77	0.8	0.03	YES
400202	47.5	1.87	0.8	0.03	YES
400203	47.5	1.87	1.5	0.06	NO
400204	47.5	1.87	3.0	0.12	NO



MOST PARTS ARE IN STOCK AND CAN BE SHIPPED THE SAME DAY!!!

SLITTERS AND ACCESSORIES

KEPES PART#	A		B		C SPLIT
	mm	inches	mm	inches	
400302	48.0	1.89	0.5	0.02	YES
400340	48.0	1.89	2.0	0.02	NO
400044	49.0	1.93	2.0	0.08	NO



PLEASE NOTE:

Accessory tools are included with holding collar purchase.

These tools can also be purchased separately.

STANDARD WIDTH

STANDARD WIDTH

LOCKING RING
W/OUT SHOULDER
(only)

HOLDING COLLAR
W/OUT SHOULDER

STANDARD WIDTH
HOLDING COLLAR

#400066

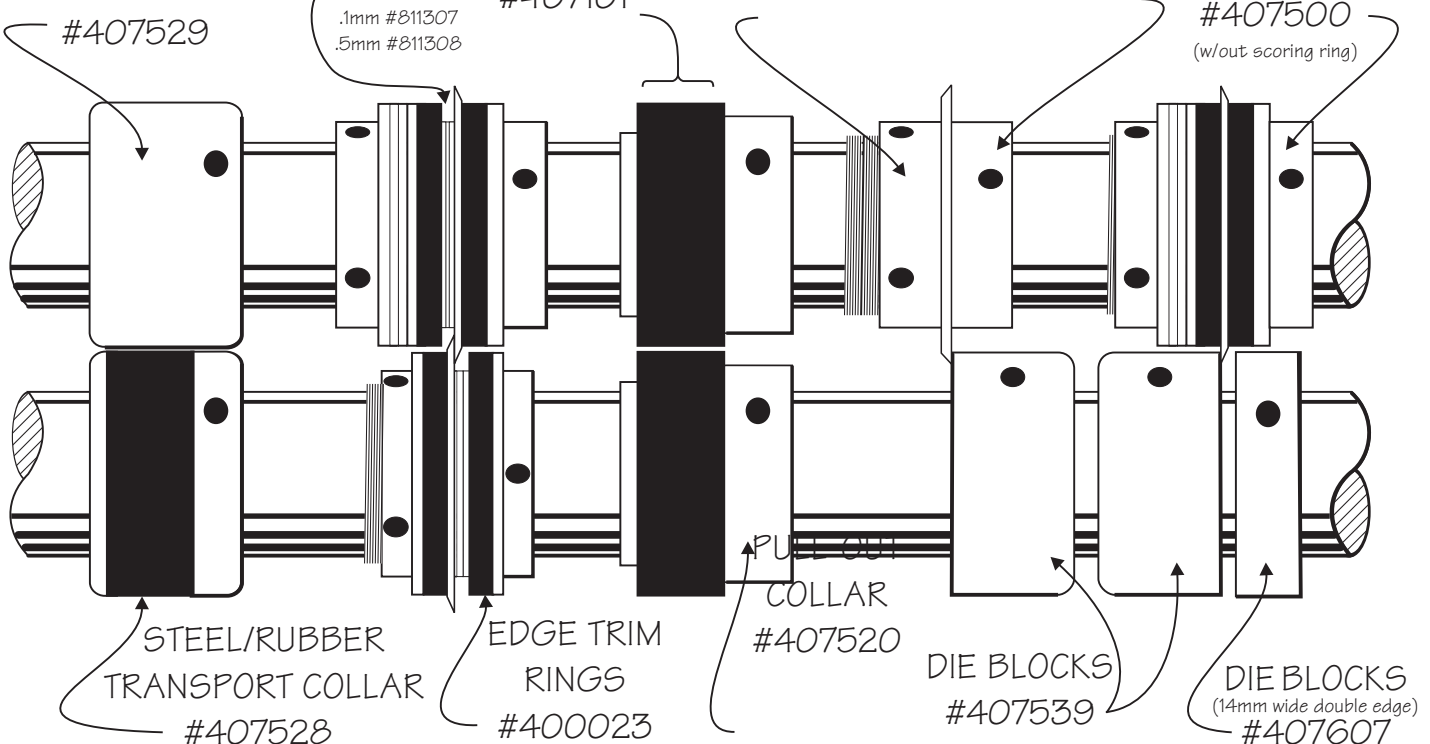
#400345

#407500
(w/out scoring ring)

STEEL
TRANSPORT COLLAR
#407529

SHIMS
.1mm #811307
.5mm #811308

RUBBER TIRE
(ONLY)
#407101



MOST PARTS ARE IN STOCK AND CAN BE SHIPPED THE SAME DAY!!!