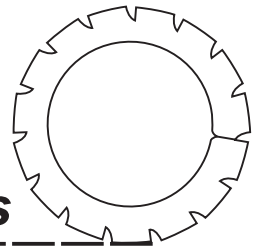


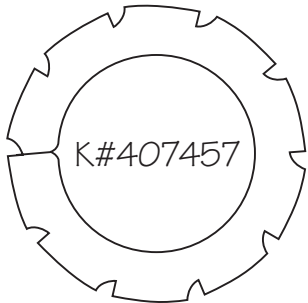
**KEPES,
Inc.**

26mm I.D.

Perfs/Scores/Slitters/Strippers

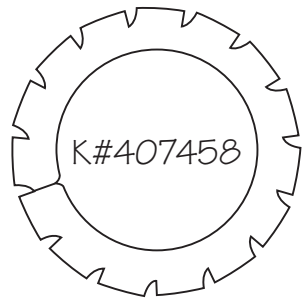


Perfs, score, and slitters are drawn to scale, bevel side up (if app.), .5mm thick unless noted



K#407457

O.D. 39 mm
CUT 9.5 mm GAP 2.5 mm
TEETH 10 T.P.I. 2



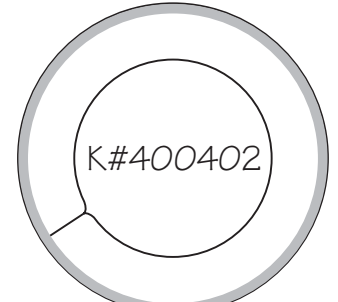
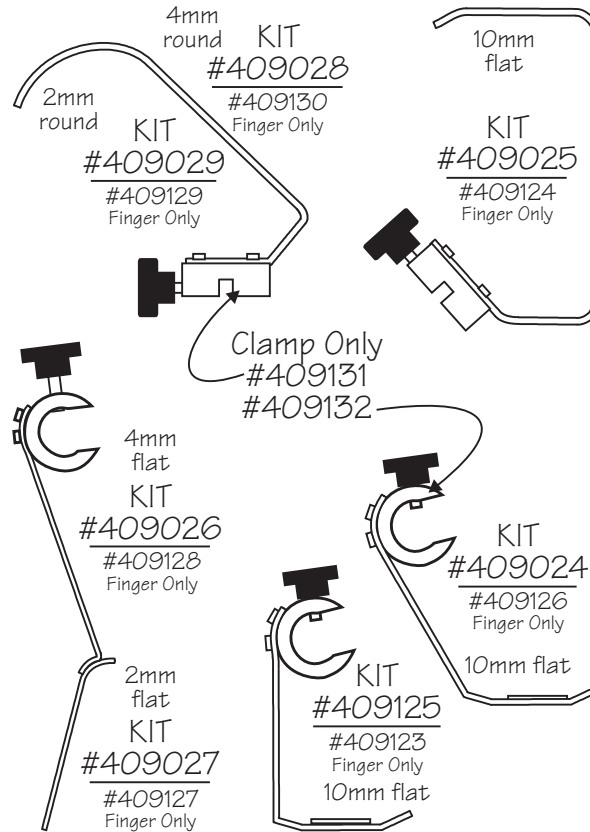
K#407458

O.D. 39 mm
CUT 5.5 mm GAP 2.5 mm
TEETH 15 T.P.I. 3.11



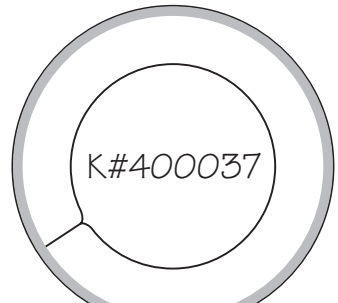
K#407459

O.D. 37.5 mm
CUT 1 mm GAP 1 mm
TEETH 60 T.P.I. 12.44



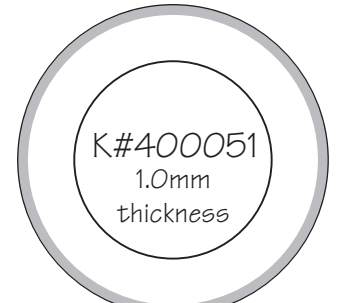
K#400402

O.D. 40 mm



K#400037

O.D. 42 mm

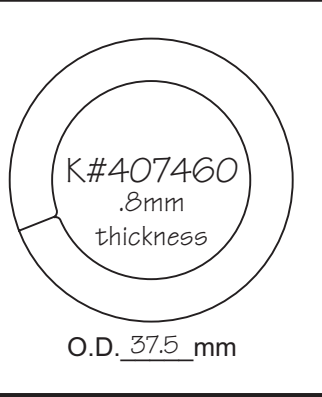


K#400051
1.0mm thickness

O.D. 40 mm

MM to INCHES

mm X .03937



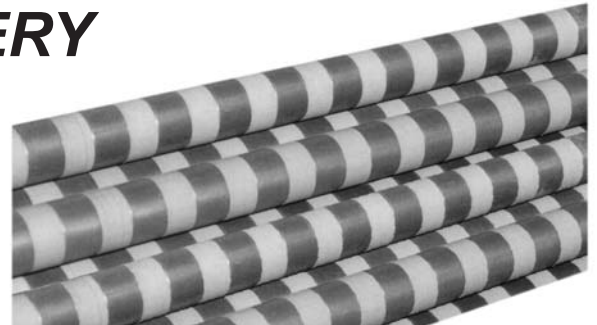
INCHES to MM

inches X 25.4

FOLDER ROLLER RECOVERY
"YOUR COMPETITIVE EDGE"
Choose Rubber or Urethane

Reduce down time with
48 HOUR turn-a-round – or – weekend service!!!

Also available: Full-Face and Segmented Glue Rollers

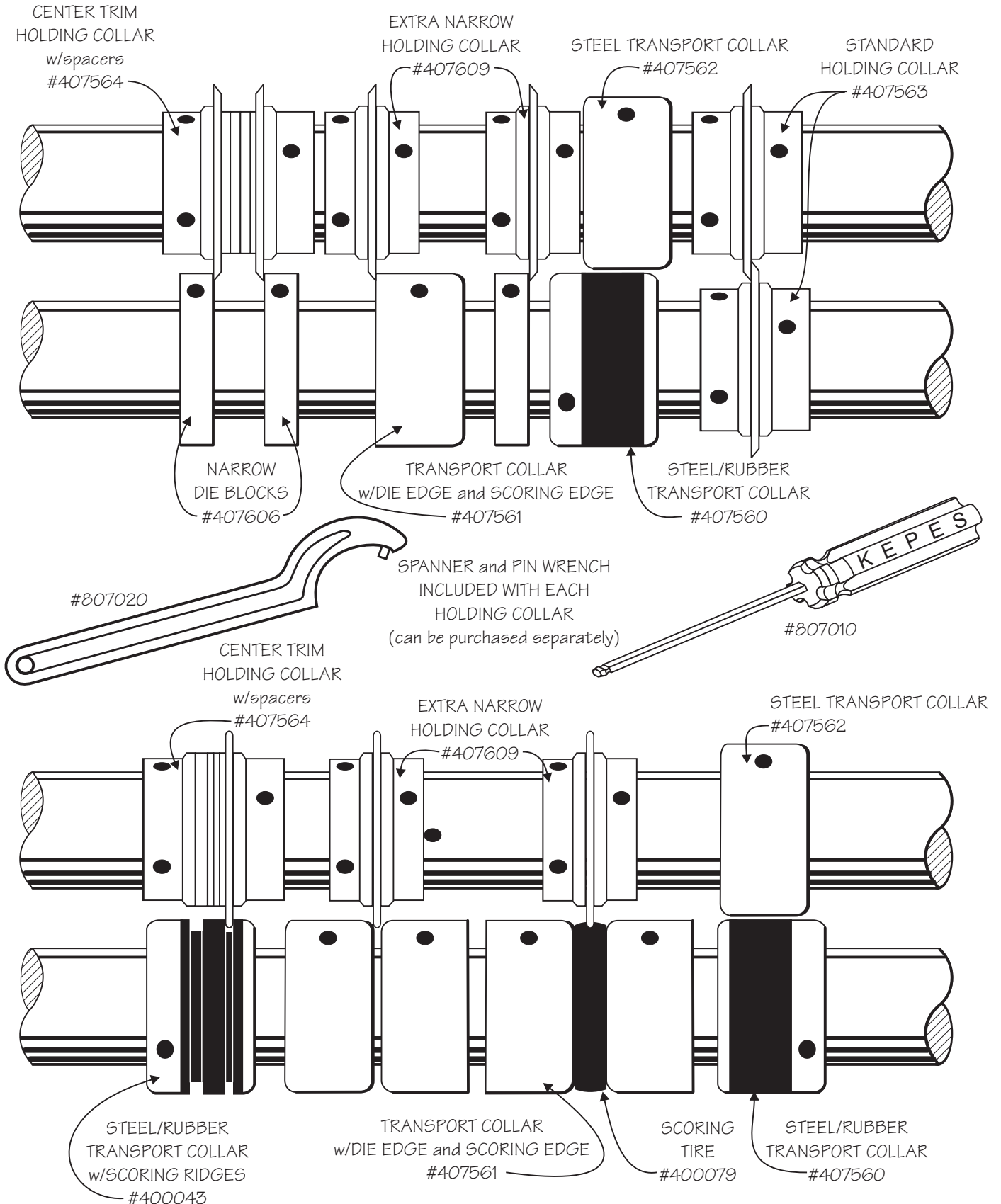


9016 58 Place, Suite 600
(262) 652-7889

www.kepes.com

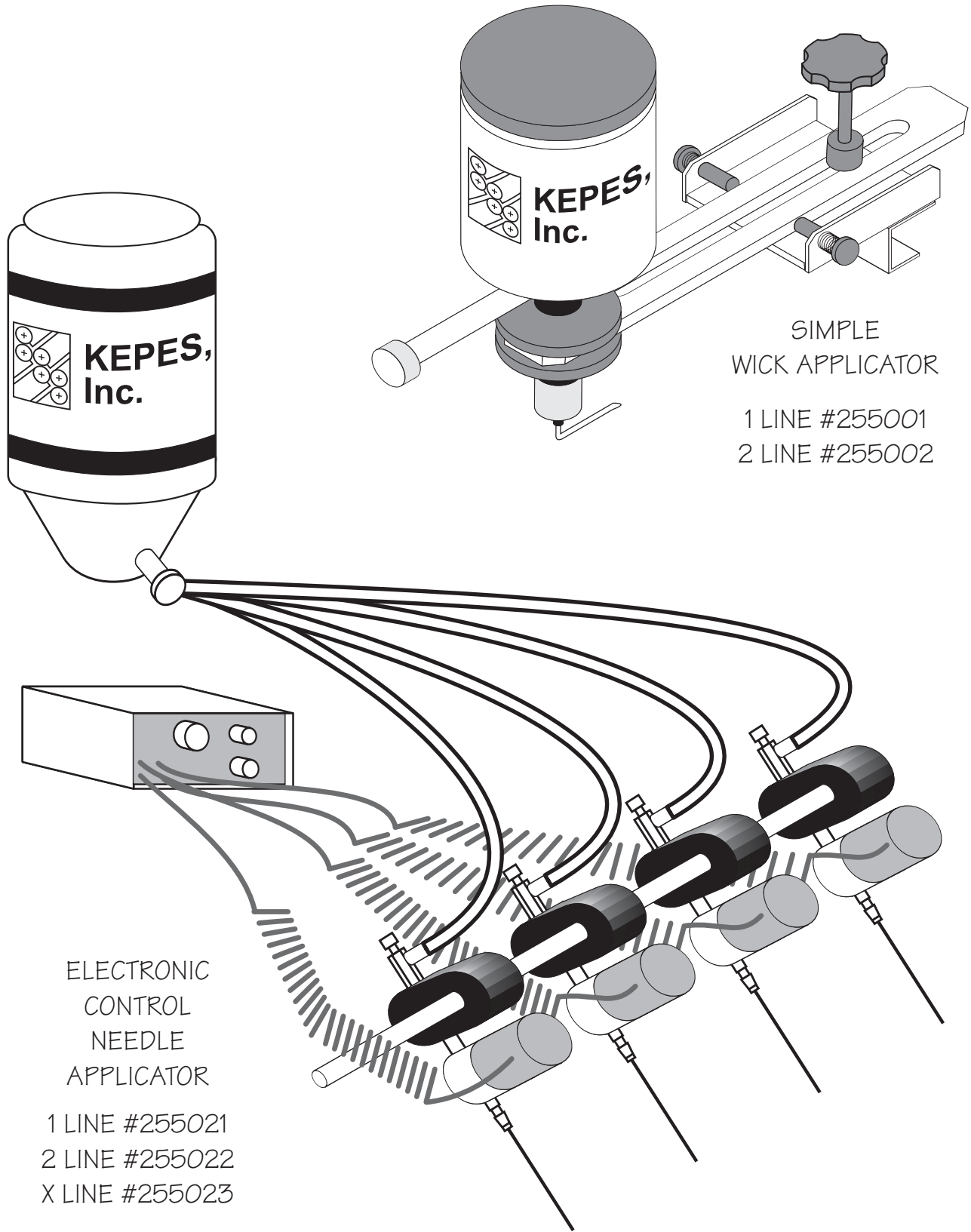
Kenosha, WI 53144
Fax (262) 652-7787

TRANSPORT AND HOLDING COLLARS WITH ACCESSORIES



MOST PARTS ARE IN STOCK AND CAN BE SHIPPED THE SAME DAY!!!

WET SCORES AND ACCESSORIES



SIMPLE
WICK APPLICATOR

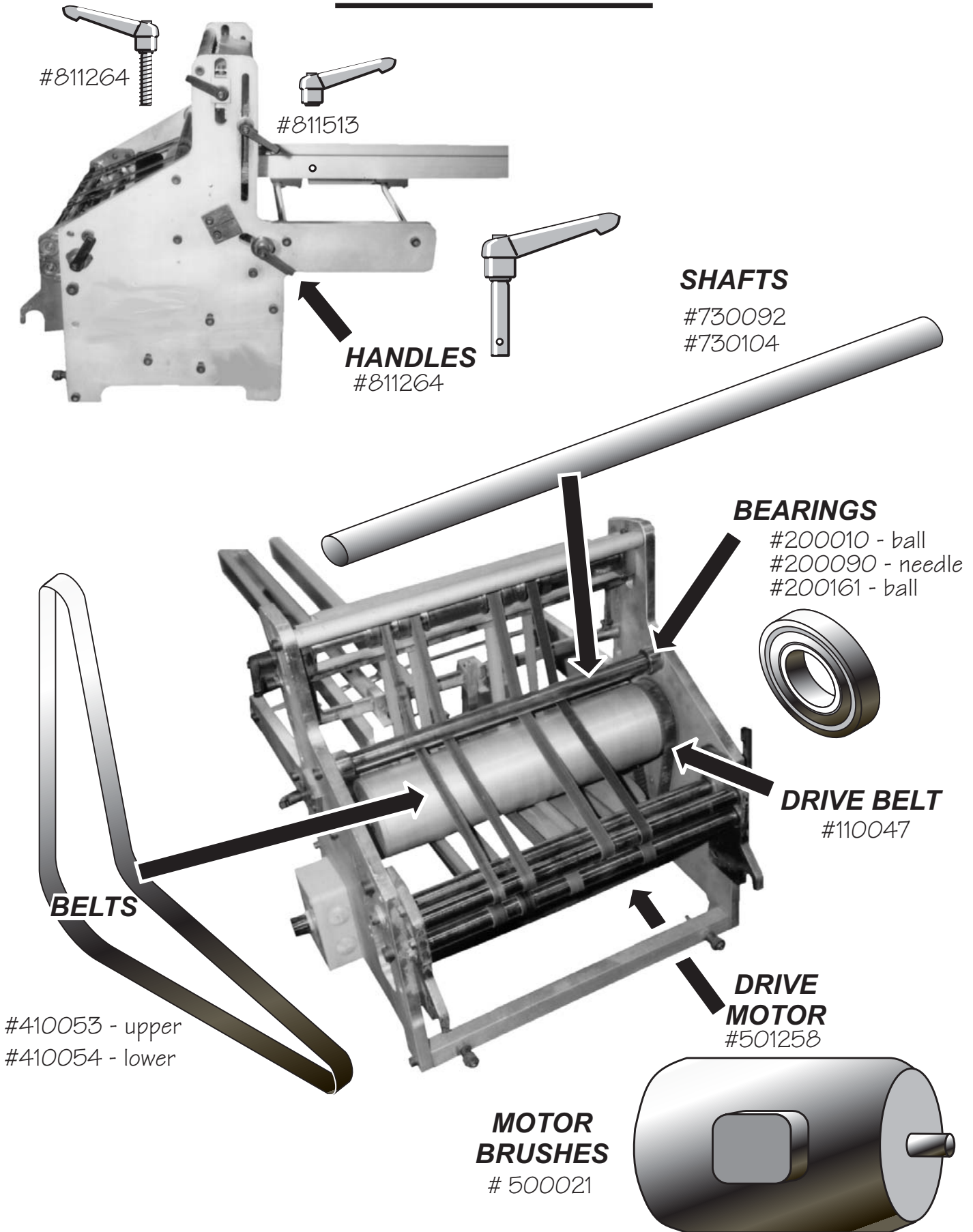
1 LINE #255001
2 LINE #255002

ELECTRONIC
CONTROL
NEEDLE
APPLICATOR

1 LINE #255021
2 LINE #255022
X LINE #255023

MOST PARTS ARE IN STOCK AND CAN BE SHIPPED THE SAME DAY!!!

STA 30 PARTS



MOST PARTS ARE IN STOCK AND CAN BE SHIPPED THE SAME DAY!!!