

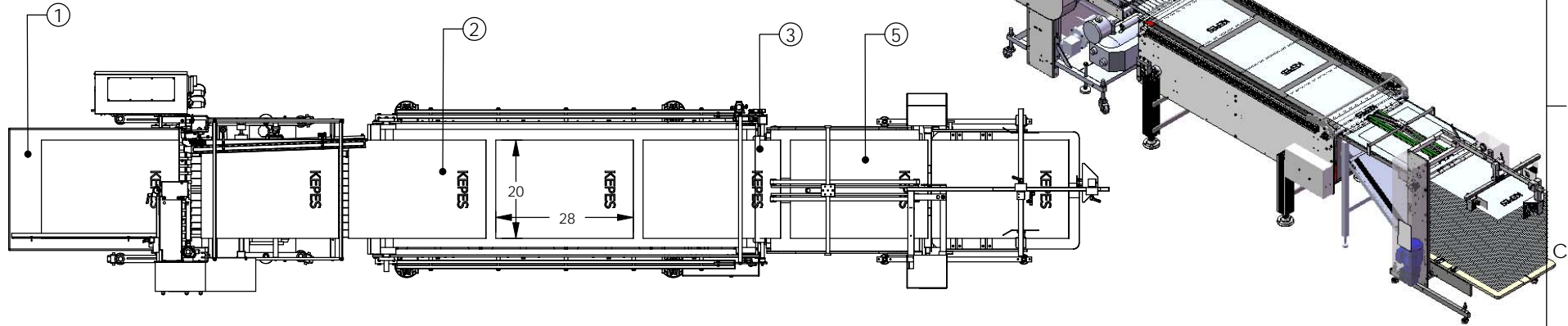
REV.	DESCRIPTION	DATE	APPROVED
1	Layout Design Review	07/23/2009	

D

D

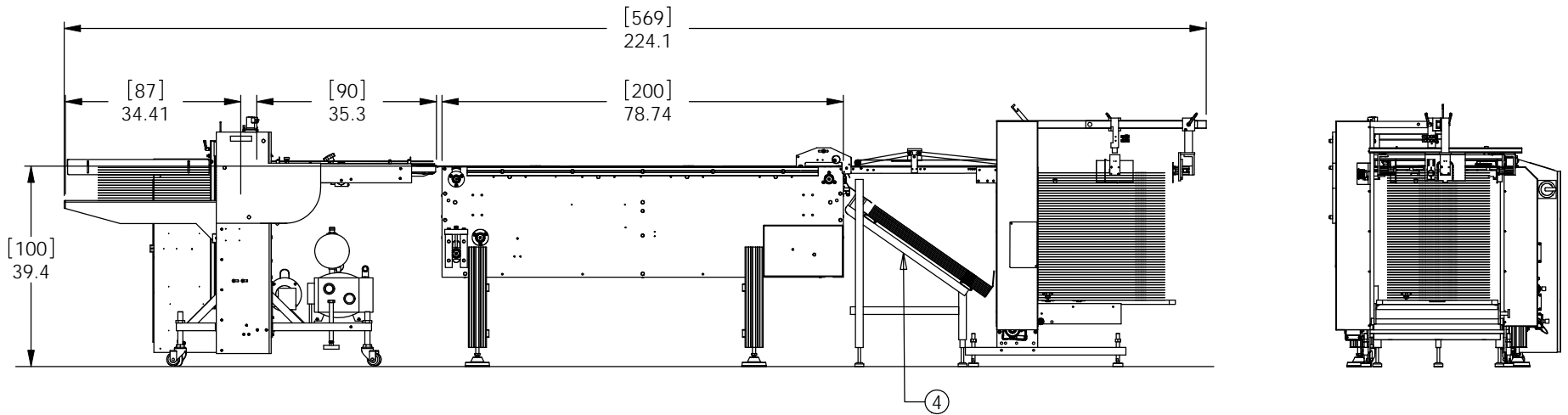
C

C



B

B



A

A

Item Number	Machine Description
1	Feeder w/ Register Table
2	Vacuum Inspection Table
3	Divert Assembly
4	Diverted Product
5	Stacker



PROPRIETARY AND CONFIDENTIAL

THE INFORMATION CONTAINED IN THIS DRAWING IS THE SOLE PROPERTY OF KEPES INC. ANY REPRODUCTION IN PART OR AS A WHOLE WITHOUT THE WRITTEN PERMISSION OF KEPES INC IS PROHIBITED.

SIZE	DATE	REV
A	07/23/2009	1

Description  
EQ 072309

SHEET 1 OF 1

8

7

6

5

4

3

2

1